

6

5

4

3

2

1

D

D

C

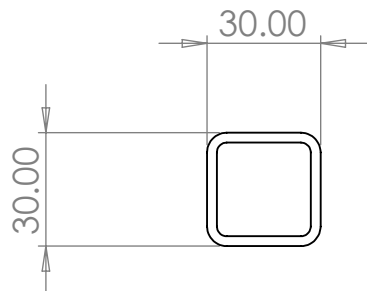
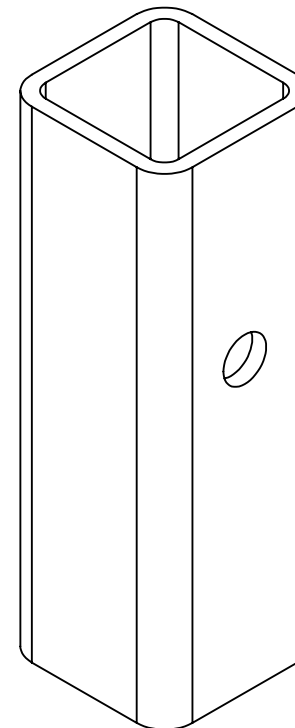
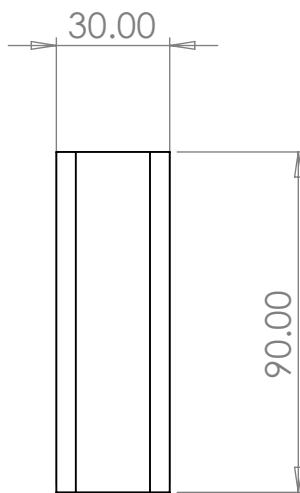
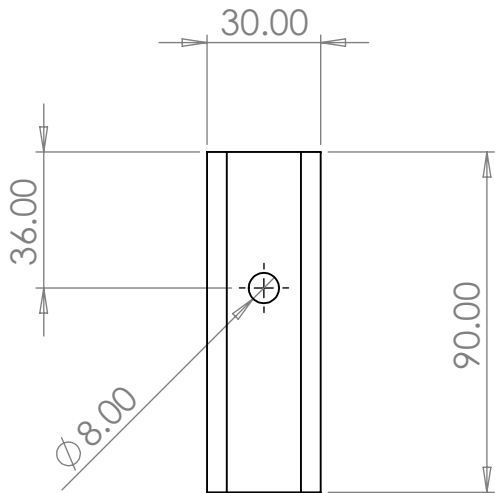
C

B

B

A

A



UNLESS OTHERWISE SPECIFIED: DIMENSIONS ARE IN MILLIMETERS SURFACE FINISH: TOLERANCES: LINEAR: ANGULAR:				FINISH: 16/12/2020		DEBURR AND BREAK SHARP EDGES		DO NOT SCALE DRAWING		REVISION					
						<h1>Roof Part 1</h1>									
DRAWN		NAME		SIGNATURE								DATE		TITLE:	
CHK'D		PRASAD PATIL										15/12/2020			
APPV'D															
MFG															
Q.A								MATERIAL: M.S.		DWG NO. 02					
								WEIGHT:		SCALE: 1:50					
										SHEET 1 OF 1					

6

5

4

3

2

1