

6

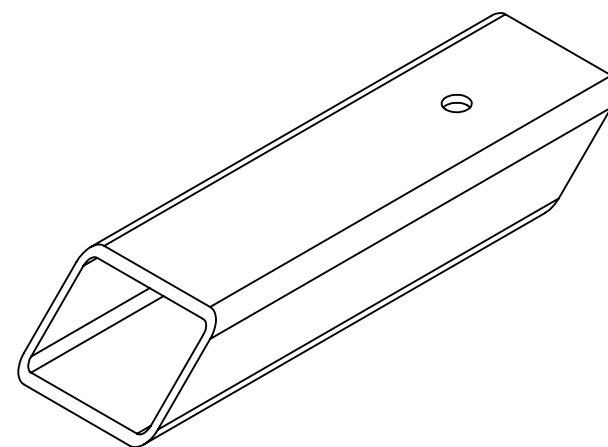
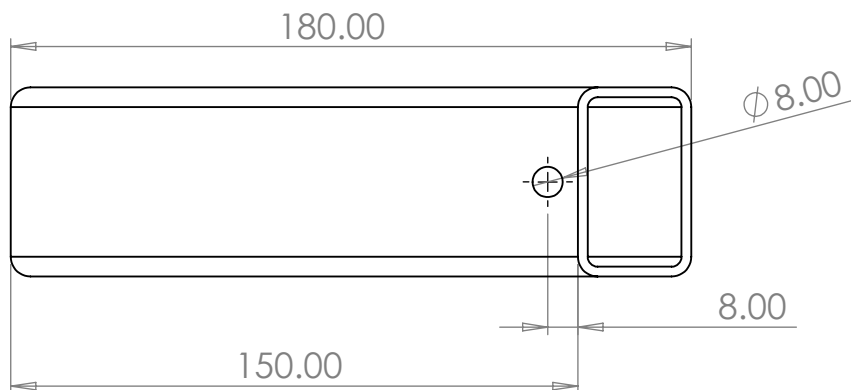
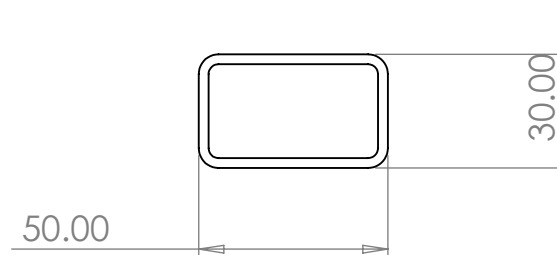
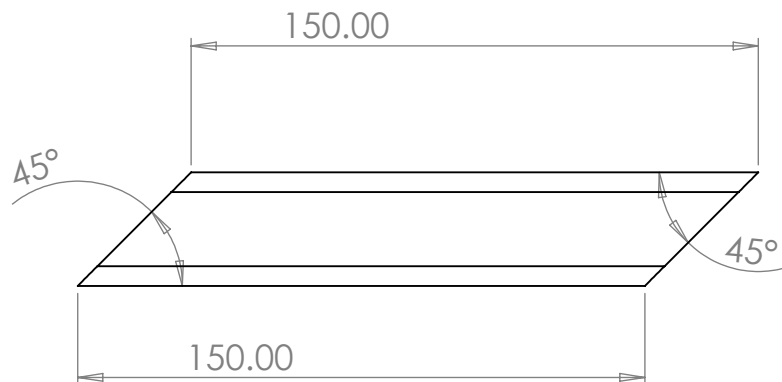
5

4

3

2

1



UNLESS OTHERWISE SPECIFIED: DIMENSIONS ARE IN MILLIMETERS SURFACE FINISH: TOLERANCES: LINEAR: ANGULAR:				FINISH: 16/12/2020		DEBURR AND BREAK SHARP EDGES		DO NOT SCALE DRAWING		REVISION			
								<p>TITLE:</p> <h1>Frame Part 2</h1>					
DRAWN		NAME		SIGNATURE		DATE							
CHK'D		PRASAD PATIL				15/12/2020							
APPV'D													
MFG													
Q.A				MATERIAL: M.S				DWG NO.		03			
				WEIGHT:				SCALE:1:50		SHEET 1 OF 1			

6

5

4

3

2

1

D

D

C

C

B

B

A

A

A4