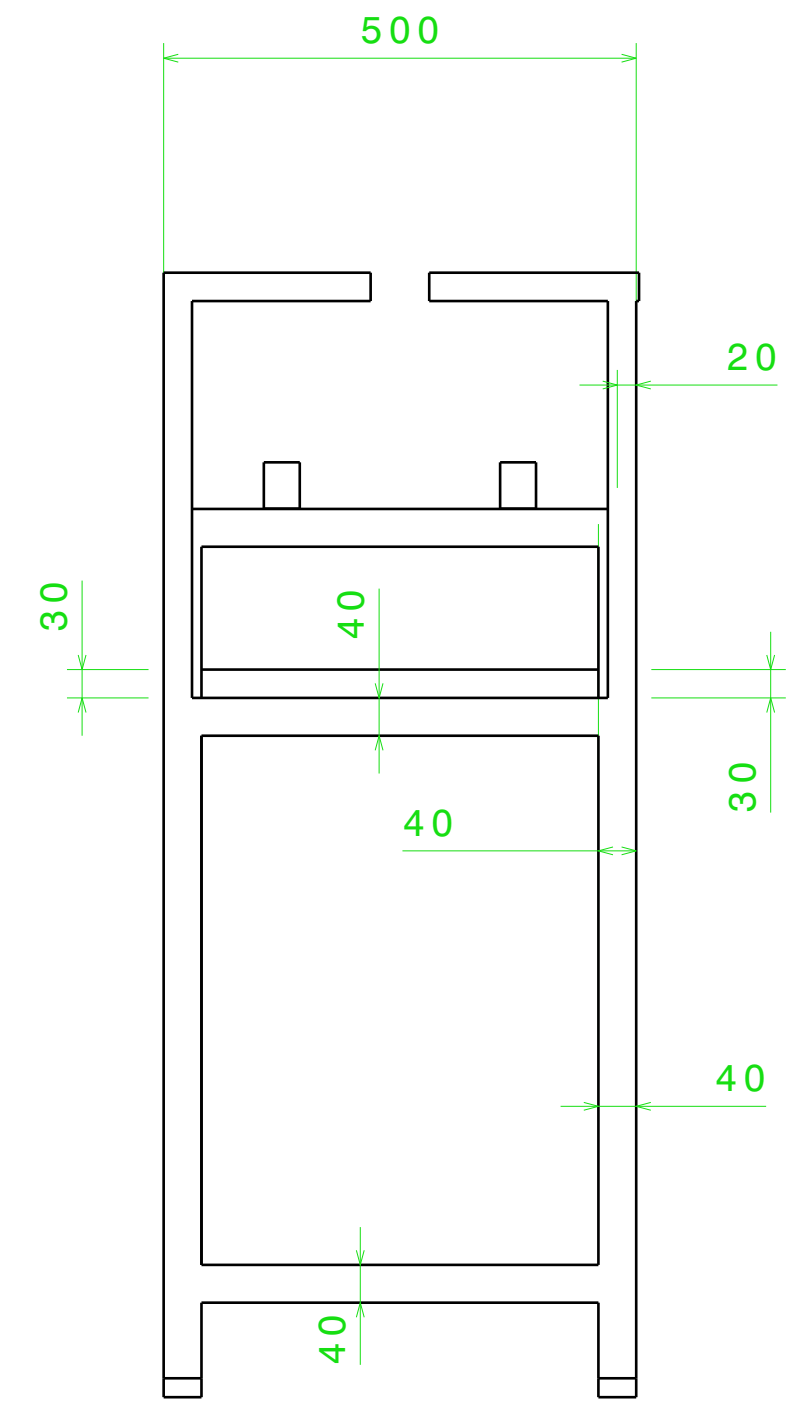
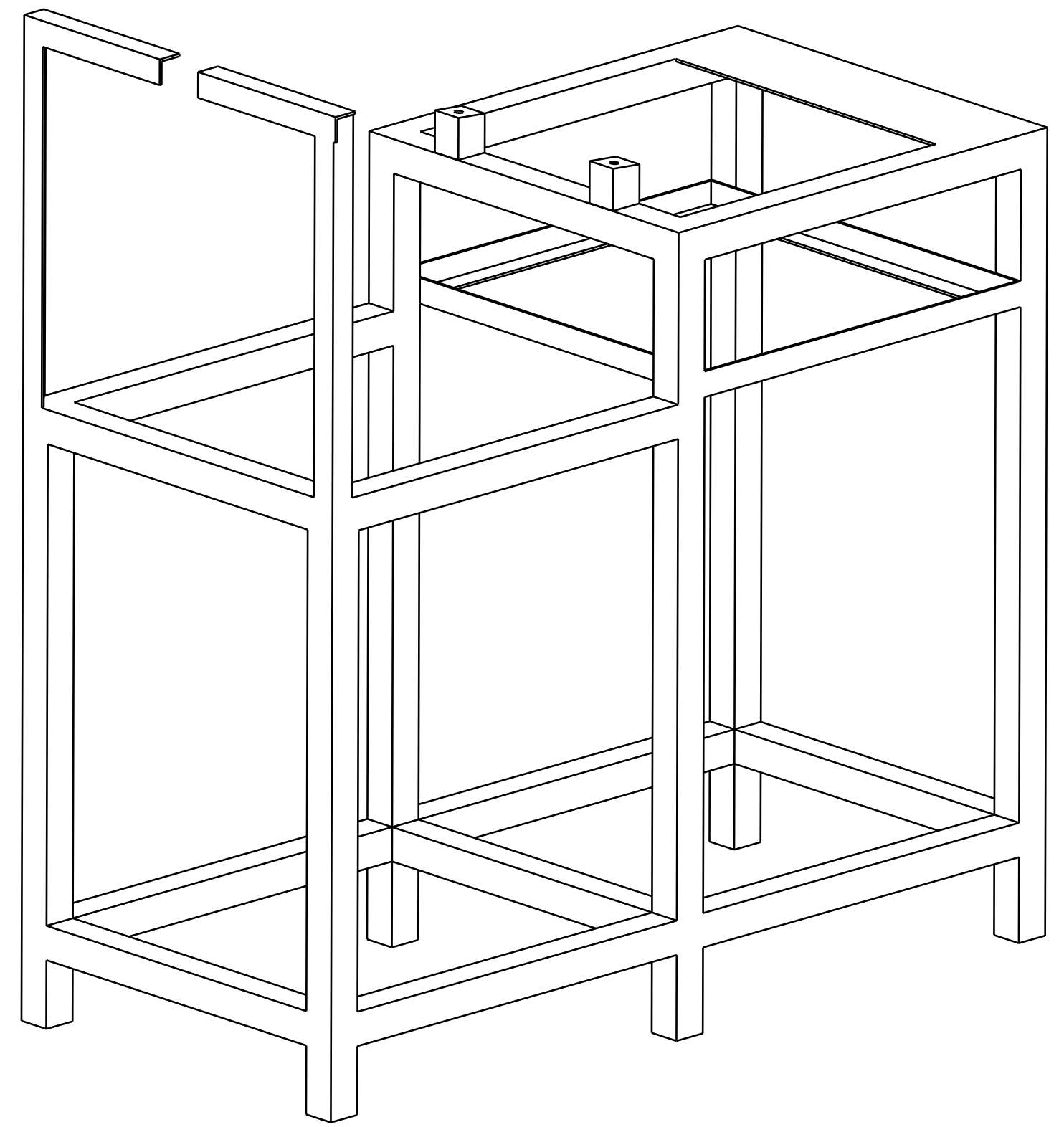


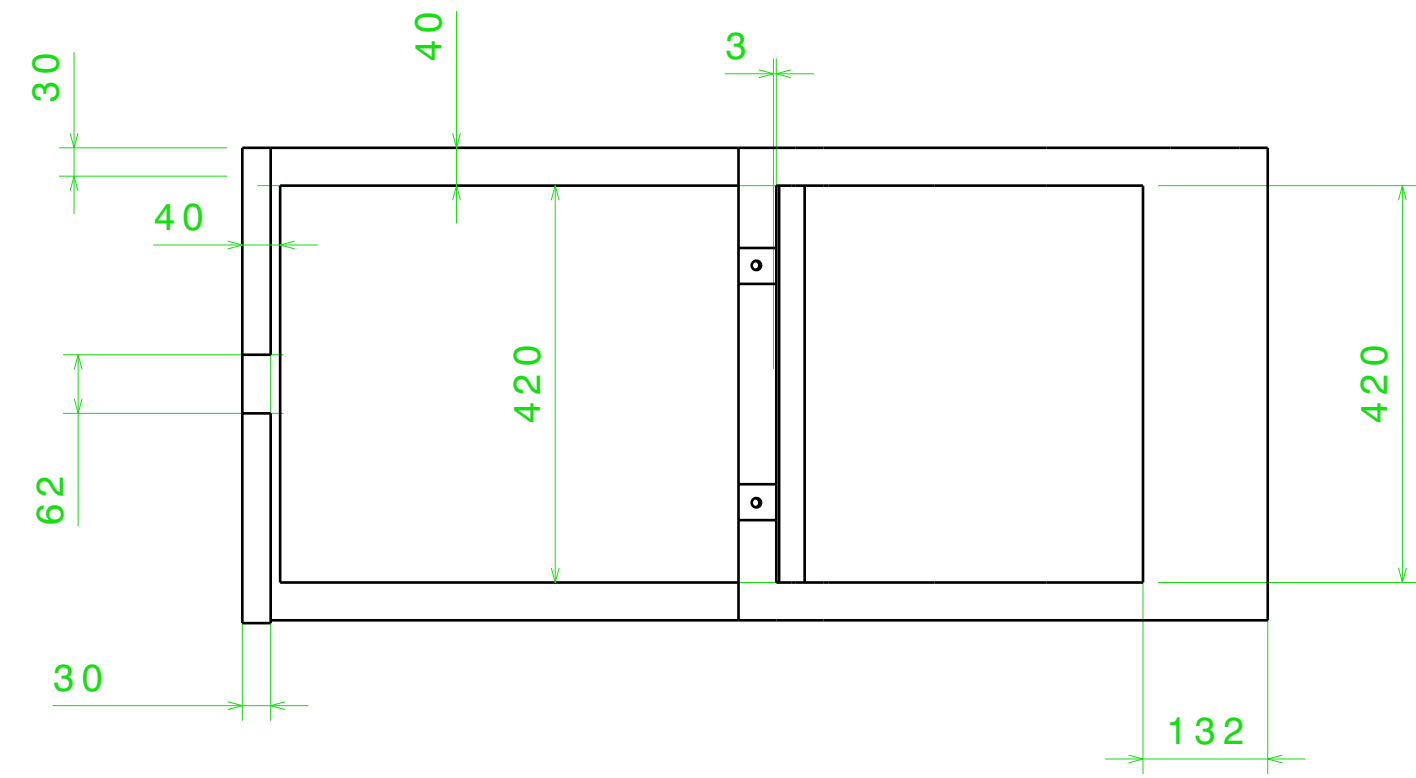
Front view  
Scale: 1:8



Left view  
Scale: 1:8



Isometric view  
Scale: 1:6



Top view  
Scale: 1:8

ALL DIMENSTIONS ARE IN MM

DESIGNED BY: hp-lap	<h1>Incinerator stand</h1>	I	-
DATE: 25-04-2020		H	-
CHECKED BY: P.S.P		G	-
DATE: XXX	<h2>VIGYAN ASHRAM</h2>	F	-
SIZE: A2		E	-
SCALE: 1:1		D	-
WEIGHT (kg): XXX		C	-
DRAWING NUMBER: XXX		B	-
SHEET: 1/1		A	-

This drawing is our property; it can't be reproduced or communicated without our written agreement.